



Owner's Manual

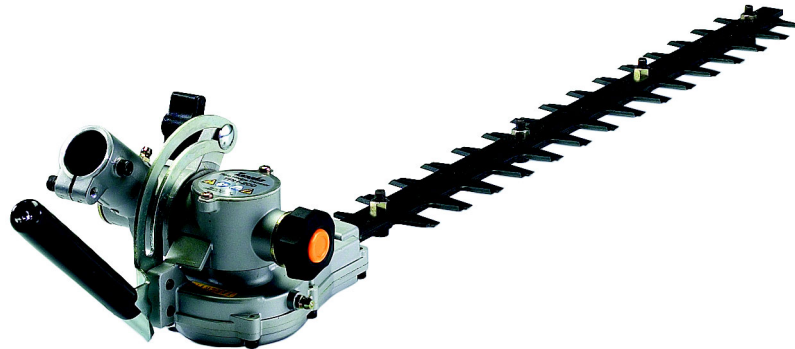
Model Numbers:

TPH-200

POLE HEDGETRIMMER ATTACHMENT

P/N 30350

Date 05-21-01



TPH-200

Supplier To The Outdoor Power Equipment Industry

ISM, Inc. • 1028 4th Street SW • Auburn, WA 98001 • Phone: (253) 333-1200 • Fax: (253) 333-1212

Before using this unit:

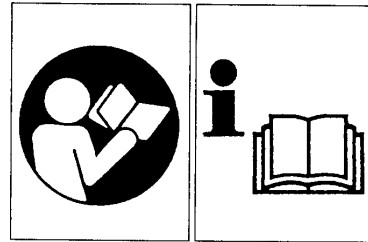
- Read the operator's manual carefully.
- Check that the cutting equipment is correctly assembled and adjusted.
- Start the unit and check the carburetor adjustment. See "Maintenance".

 **WARNING**

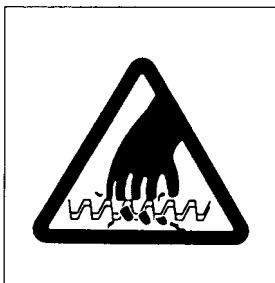
The engine exhaust from this product contains chemicals known to the State of California to cause cancer, birth defects and other reproductive harm.



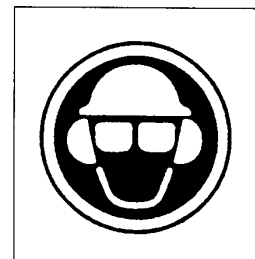
Read, understand and follow all warnings and instructions in this manual and on the unit.



It is important that you read, fully understand and observe the following safety precautions and warnings. Careless or improper use of the unit may cause serious or fatal injury.



Do not touch the blade when running the engine.



Always wear eye, head and ear protectors when using this unit.

1. Introduction

It is important that you read and understand your TANAKA brush cutter owner's manual as well as this manual. Please carefully review and observe all safety precautions and warnings. Careless or improper use of the unit may cause serious or fatal injuries.

This pole trimmer attachment has been designed for certain TANAKA brush cutters.

NOTE!

Do not use this attachment on the brush cutters with over 26 ml (cc) engines.

SAFE OPERATION

WARNING ⚠ DANGER

All overhead electrical conductors and communications wires can have electricity flow with high voltages. Never touch wires directly or indirectly when pruning, otherwise serious injury or death may result.

CAUTION!

- Always wear gloves during operation or maintenance.
- Review the area to be trimmed. Look for hazards that could contribute to unsafe conditions. DO NOT operate unit if any wires (power, telephone, cable, etc.) are closer than 15M (50ft.) to any part of the operator or unit. (Fig. 1 -1)
- Spectator and fellow workers must be warned, and children and animals prevented from coming nearer than 15M (50ft.) while the pole trimmer is in use. (Fig. 1 -2)
- Avoid all power lines. This unit is not insulated against electrical current.
- Always wear head protection with full face shield to help protect against falling branches and debris. (Fig. 1 -2)

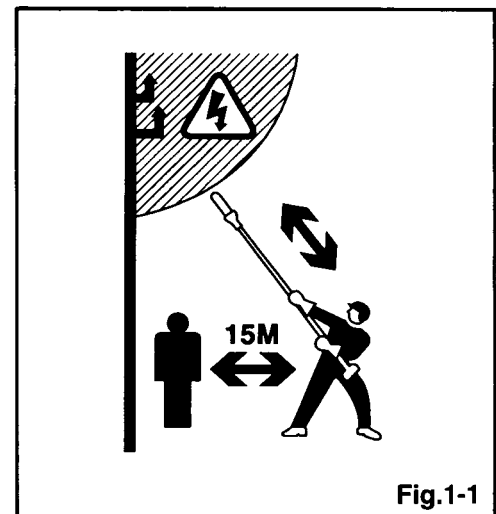


Fig.1-1

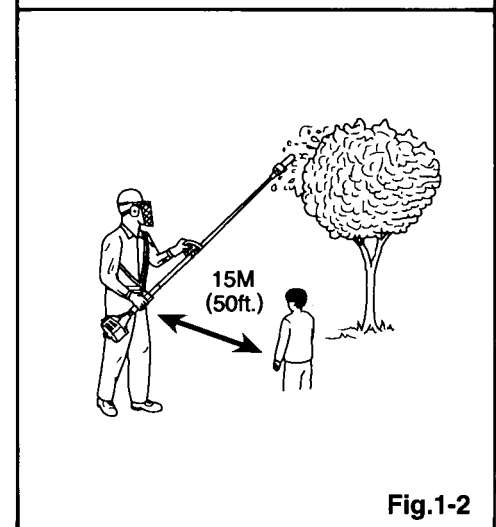


Fig.1-2

2. Assembly procedures

Installation of cutting attachment (Fig. 2-1)

1. Remove gear case from your brush cutter.
2. Join the attachment in place of it.

NOTE!

If your brush cutter tube is 26mm diameter, remove bracket collar B (4) from the attachment.

3. Make sure the locking bolt (1) fits in the location hole (2) of tube and that the tube will not come off.
4. Tighten the clamp bolt (3) securely.

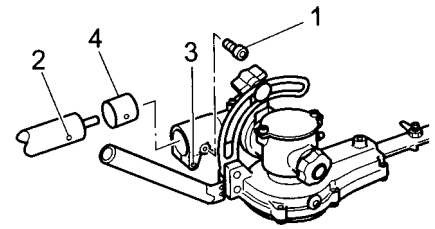


Fig.2-1

! WARNING!

During operation, hold the unit firmly with both hands. A single hand operation may cause serious injury.

Adjustment of blade angle (Fig. 2-2, 3)

! WARNING!

Always stop engine before making adjustments.

Never touch the blade when adjusting blade angle. Hold the support handle (3) instead.

1. Stop the engine.
2. Loosen wing nut (1) and knob nut (2) slightly so that the support handle (3) slides.
3. Adjust the blade angle to desired position by holding the support handle (3).
4. Then, finger-tighten the knob nut (2) securely and also the wing nut (1).

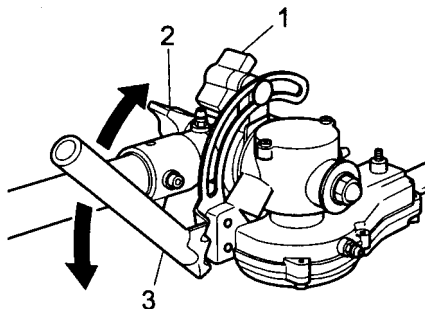


Fig. 2-2

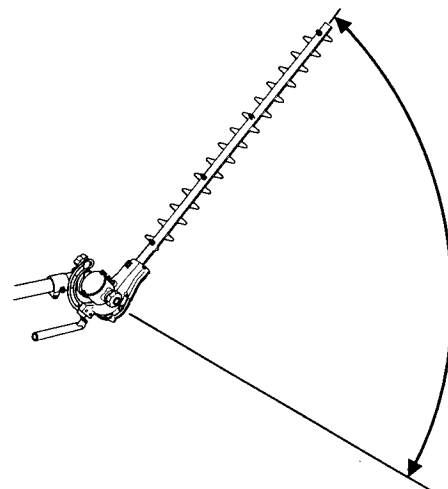


Fig.2-3

3. Trimming techniques

- This attachment is designed for trimming hedges and small branches. Follow these tips for successful operation.
- Plan cut carefully. Check direction branch will fall.
- Long branches should be trimmed in several pieces.
- Do not stand directly beneath branch being cut.
- Apply a light cutting pressure.
- Ease cutting pressure when nearing end of cut to maintain control.

4. Maintenance

Gear case (Fig. 4-1)

Apply a good quality lithium based grease through the grease fittings.

NOTE!

Lubrication should be applied at 50 hour intervals and more frequent at heavy use.

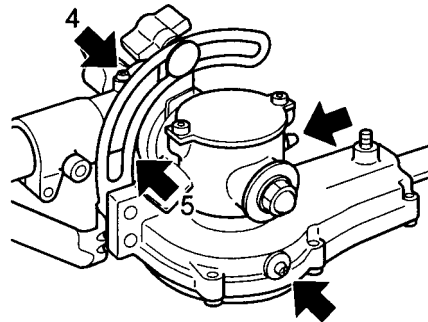


Fig. 4-1

Cutter blade (Fig. 4-2, 3)

The blades are installed to the cutter guide with three to five bolts depending on cutter length. Those bolts are tightened with a clearance so that the cutters can move smoothly.

When clearance is too small:

The cutters do not move properly and the sliding surfaces may seize.

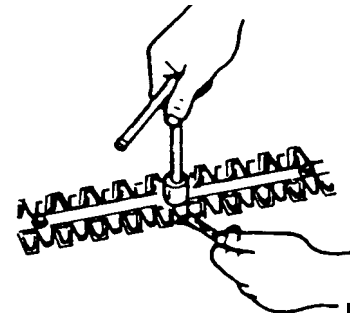


Fig.4-2

When clearance is too large:

The cutters are poor in sharpness.

To adjust the cutter clearance:

1. Loosen the cutter fixing nuts.
2. Fully tighten the cutter fixing bolts and then loosen them approx. 1/2 turn.
3. With the bolts set at that position, tighten the cutter fixing nuts.

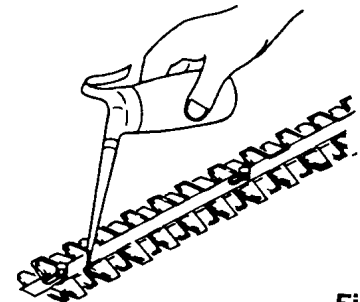


Fig.4-3

Be sure to replace cutter guide fixing bolts when they are loosened, worn or damaged. Also be sure to replace damaged cutter blade.

NOTE!

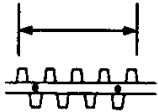
Properly lubricate the cutter sliding surfaces with machine oil.

Specifications

Ⓔ **MODEL** **TPH-200**



Dry Weight (kg) 550 mm 1.9 (4.1 lbs)



Overall cutter length (mm) 550 (21.65 in)

* All data subject to change without notice.